

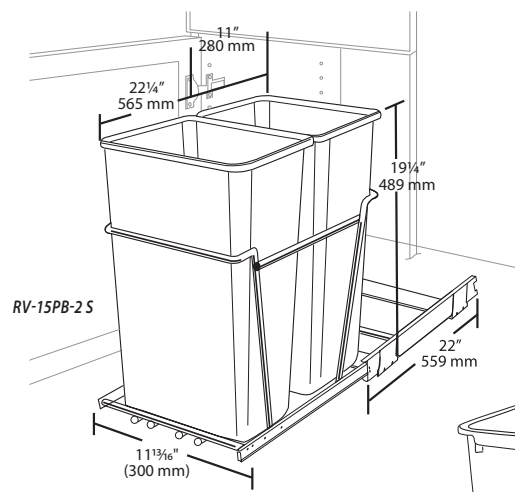
# RV SERIES

## DOUBLE PULLOUT WASTE CONTAINERS

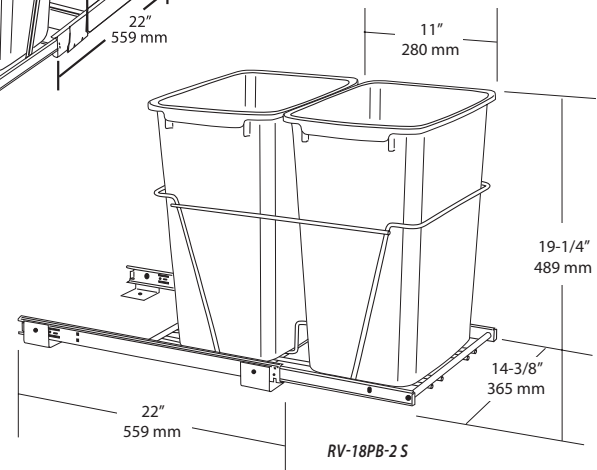


RV-15PB-2 S

- Available in double 27 and 35 qt. containers
- Features heavy duty wire frame construction
- Features full-extension, ball-bearing slides
- Easy bottom mount installation (four screws)
- Carries the standard Rev-A-Shelf Limited Lifetime Guarantee
- See page 32 for silver and black versions
- See page 34 for lids
- See page 35 for door mount kit
- See page 68 for replacement containers



RV-15PB-2 S



RV-18PB-2 S



RV-18PB-2 S (DOOR MOUNTED)

PRODUCT #	DESCRIPTION	PRODUCT DIMENSIONS	FINISH	SET PER CTN	WHT PER CARTON	SUGGESTED LIST PRICE
<b>Double Waste Containers (Individual Pack)</b>						
RV-15PB-2 S	Double 27 qt. Containers/Full-Extension Slides	11 <sup>3</sup> / <sub>16</sub> " (300 mm) W x 22 <sup>1</sup> / <sub>4</sub> " (565 mm) D x 19 <sup>1</sup> / <sub>4</sub> " (486 mm) H	White/White	1	12 lb.	\$139.50
RV-18PB-2 S	Double 35 qt. Containers/Full-Extension Slides	14 <sup>3</sup> / <sub>8</sub> " (365 mm) W x 22" (559 mm) D x 19 <sup>1</sup> / <sub>4</sub> " (489 mm) H	White/White	1	14 lb.	\$155.00
RV DM KIT	Heavy Duty Door Mount Kit		White	1	3 lb.	\$33.20

**CONTAINS:**  
 RV-15PB-2 S (2) containers, frame, full-extension slides, 100 lb. weight rating  
 RV-18PB-2 S (2) containers, frame, full-extension slides, 100 lb. weight rating  
**IMPORTANT NOTE:** Depending on cabinet construction and pull hardware, a lid on the rear waste bin may not fully function.