

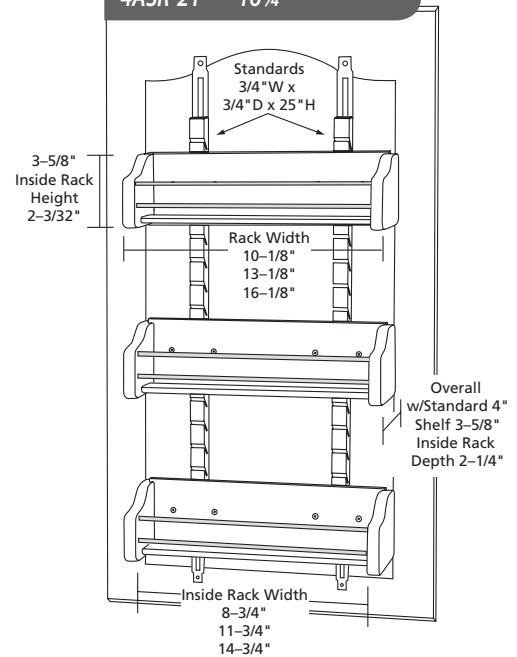
4ASR SERIES

ADJUSTABLE DOOR MOUNT SPICE RACK

- Available for wall 15", 18" and 21" cabinets
- Can house spice bottles up to 2-1/4" diameter
- Made of attractive maple hardwood
- Installs with just four screws
- Features adjustable shelves
- Carb II compliant

Minimum Cabinet Opening:

| | |
|---------|----------------------------------|
| 4ASR-15 | 11" |
| 4ASR-18 | 14" |
| 4ASR-21 | 16 ³ / ₄ " |



BRACKET ON BACK OF SHELF FOR ATTACHING TO STANDARDS

| PRODUCT # | DESCRIPTION | PRODUCT DIMENSIONS | FINISH | SET PER CTN | WHT PER CARTON | SUGGESTED LIST PRICE |
|---|--|---|--------|-------------|----------------|----------------------|
| Adjustable Door Mount Spice Rack (Individual Pack) | | | | | | |
| 4ASR-15 | Wall 15 Adjustable Door Mount Spice Rack | 10 ¹ / ₈ " (257 mm) W x 4" (102 mm) D x 25" (635 mm) H | Wood | 1 | 4 lb. | \$95.70 |
| 4ASR-18 | Wall 18 Adjustable Door Mount Spice Rack | 13 ³ / ₈ " (333 mm) W x 4" (102 mm) D x 25" (635 mm) H | Wood | 1 | 5 lb. | \$118.45 |
| 4ASR-21 | Wall 21 Adjustable Door Mount Spice Rack | 16 ¹ / ₈ " (410 mm) W x 4" (102 mm) D x 25" (635 mm) H | Wood | 1 | 6 lb. | \$141.25 |
| Door Mount Spice Rack Components (Bulk Pack) | | | | | | |
| 4ASR-25STD-20 | 25" Door Mount Spice Rack Standards | | Wood | 20 | 10 lb. | \$10.45 ea. |
| 4ASR-31STD-20 | 31" Door Mount Spice Rack Standards | | Wood | 20 | 12 lb. | \$11.00 ea. |
| 4ASR-37STD-20 | 37" Door Mount Spice Rack Standards | | Wood | 20 | 14 lb. | \$12.35 ea. |
| 4ASR-15BIN-10 | Wall 15 Bins ONLY | 10 ¹ / ₈ " (257 mm) W x 3 ⁵ / ₈ " (92 mm) D x 3 ⁵ / ₈ " (92 mm) H | Wood | 10 | 11 lb. | \$25.65 ea. |
| 4ASR-18BIN-10 | Wall 18 Bins ONLY | 13 ³ / ₈ " (333 mm) W x 3 ⁵ / ₈ " (92 mm) D x 3 ⁵ / ₈ " (92 mm) H | Wood | 10 | 13 lb. | \$34.80 ea. |
| 4ASR-21BIN-10 | Wall 21 Bins ONLY | 16 ¹ / ₈ " (410 mm) W x 3 ⁵ / ₈ " (92 mm) D x 3 ⁵ / ₈ " (92 mm) H | Wood | 10 | 15 lb. | \$41.20 ea. |

CONTAINS: (3) Shelves, (2) 25" Slotted Standards and Screws, AMB BRACKETS: US PATENT NO: 7,204,569