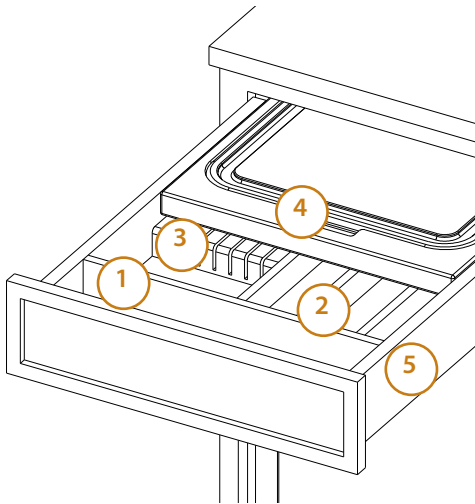


4KCB SERIES COMBINATION KNIFE HOLDER/ CUTTING BOARD

- Designed for 1-1/2" face frame 18", 21" and 24" base cabinets
- Versatile wood and polyethylene cutting boards
- Polyethylene cutting board is dishwasher safe
- BLUMOTION soft-close slides
- Comes as complete drawer with knife holder and cutting board (knives not included)
- Just add your drawer front
- Carb II compliant



Adjustable rear mounting bracket attaches to the rear of your cabinet.



	Base 18	Base 21	Base 24
1. Front Storage	13"W x 3 3/4"D x 2 5/16"H 331 mm x 73 mm x 59 mm	16"W x 3 1/4"D x 2 9/16"H 407 mm x 79 mm x 59 mm	19"W x 2 1/4"D x 2 5/16"H 483 mm x 79 mm x 59 mm
2. Side Storage	5 7/8" W x 16"D x 1 1/2"H 149 mm x 406 mm x 114 mm One Slot	2 1/4" W x 16"D x 1 1/2"H 60 mm x 406 mm x 38 mm Two Slots	5 1/16" W x 16"D x 1 1/2"H 138 mm x 406 mm x 38 mm Three Slots
3. Knife Storage Area	6 1/16" W x 16"D x 1 1/2"H 170 mm x 406 mm x 38 mm	6 1/16" W x 16"D x 1 1/2"H 170 mm x 406 mm x 38 mm	6 1/16" W x 16"D x 1 1/2"H 199 mm x 406 mm x 38 mm
4. Cutting Board	12 7/8" W x 17 1/2" D x 1 1/4" H 305 mm x 445 mm x 32 mm	15 7/8" W x 17 1/2" D x 1 1/4" H 403 mm x 445 mm x 32 mm	18 7/8" W x 17 1/2" D x 1 1/4" H 479 mm x 445 mm x 32 mm
5. Support Frame (Min. Overall PRODUCT DIMENSIONS)	15"W x 22 1/2"D x 4 1/2"H 381 mm x 562 mm x 114 mm	118"W x 22 1/2"D x 4 1/2"H 456 mm x 562 mm x 114 mm	21"W x 22 1/2"D x 4 1/2"H 532 mm x 562 mm x 114 mm

PRODUCT #	DESCRIPTION	PRODUCT DIMENSIONS	FINISH	SET PER CTN	WHT PER CARTON	SUGGESTED LIST PRICE
Knife Holder and Cutting Board (Individual Pack)						
4KCB-18SC-1	Soft-Close Knife Holder and Cutting Board System	15" (381 mm) W x 22 1/2" (562 mm) D x 4 1/2" (114 mm) H	Wood	1	25 lb.	\$280.30
4KCB-21SC-1	Soft-Close Knife Holder and Cutting Board System	18" (456 mm) W x 22 1/2" (562 mm) D x 4 1/2" (114 mm) H	Wood	1	28 lb.	\$315.25
4KCB-24SC-1	Soft-Close Knife Holder and Cutting Board System	21" (532 mm) W x 22 1/2" (562 mm) D x 4 1/2" (114 mm) H	Wood	1	31 lb.	\$348.70

CONTAINS:

Knife Rest, Cutting Board, Full-Extension Slides, Mounting Hardware and Screws. *Knives Not Included*

NOTE:

Adjustable depth, designed for 24" (588 mm) D cabinets (Base 18", 21" & 24" drawers.) Minimum Opening Height = 4 3/4"

DRAWER ACCESSORIES