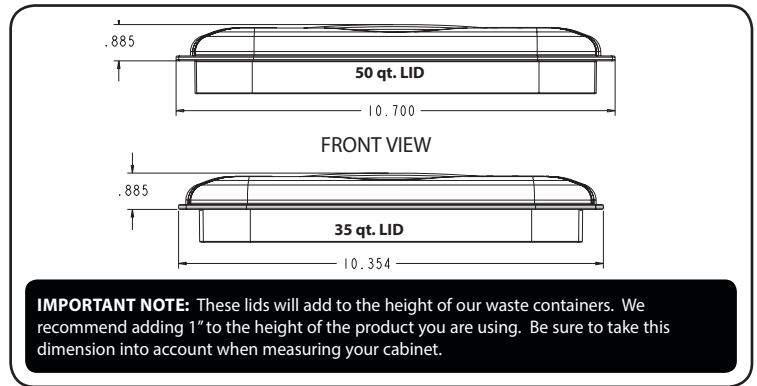
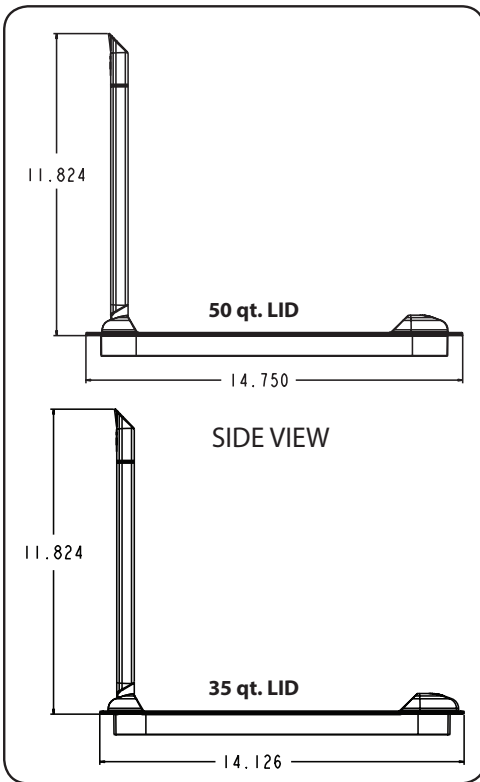


# RV SERIES

## 35 QT. AND 50 QT. CONTAINER LIDS

- Available for 35 qt. and 50 qt. containers
- Available in green, white, metallic silver, black and champagne



PRODUCT #	DESCRIPTION	FINISH	SET PER CTN	WHT PER CARTON	SUGGESTED LIST PRICE
Optional lids for all 35 and 50 qt. Waste Containers (Individual Pack)					
RV-35-LID-1	35 qt. Waste Container Lid - White	Polymer	1	3 lb.	\$18.25
RV-35-LID-12-1	35 qt. Waste Container Lid - Champagne	Polymer	1	3 lb.	\$24.65
RV-35-LID-17-1	35 qt. Waste Container Lid - Metallic Silver	Polymer	1	3 lb.	\$20.60
RV-35-LID-18-1	35 qt. Waste Container Lid - Black	Polymer	1	3 lb.	\$20.60
RV-35-LID-G-1	35 qt. Waste Container Lid - Green	Polymer	1	3 lb.	\$20.60
RV-35-LID-13-1	35 qt. Waste Container Lid - Orion Gray	Polymer	1	3 lb.	\$20.60
RV-50-LID-1	50 qt. Waste Container Lid - White	Polymer	1	3 lb.	\$19.70
RV-50-LID-12-1	50 qt. Waste Container Lid - Champagne	Polymer	1	3 lb.	\$24.95
RV-50-LID-17-1	50 qt. Waste Container Lid - Metallic Silver	Polymer	1	3 lb.	\$22.05
RV-50-LID-G-1	50 qt. Waste Container Lid - Green	Polymer	1	3 lb.	\$22.05
RV-50-LID-13-1	50 qt. Waste Container Lid - Orion Gray	Polymer	1	3 lb.	\$22.05

**IMPORTANT NOTE:** Depending on cabinet construction and pull hardware, a lid on the rear waste bin may not fully function.