



4DMCB SERIES

DOOR MOUNT CUTTING BOARD

- Brackets provide installation flexibility up to 5"
- Maple hardwood cutting board
- Mineral oil treated
- Support racks are coated with a UV cured clear finish

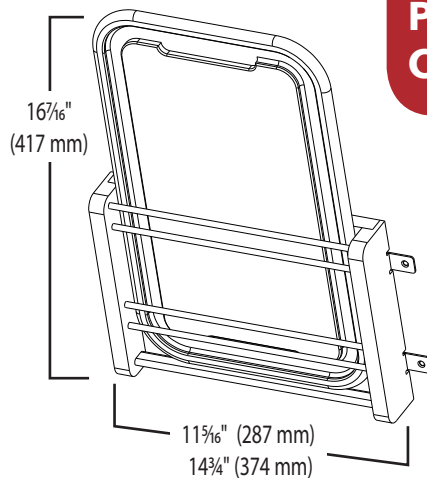
4DMCB-15	WIDTH	DEPTH	HEIGHT
Mount Rack	10½" (267 mm)	2⅞" (73 mm)	8" (203 mm)
Cutting Board	7¾" (197 mm)	1¼" (32 mm)	16" (407 mm)

4DMCB-18	WIDTH	DEPTH	HEIGHT
Mount Rack	13½" (343 mm)	2⅞" (73 mm)	8" (203 mm)
Cutting Board	10¾" (273 mm)	1¼" (32 mm)	16" (407 mm)

PRODUCT #	DESCRIPTION	DIMENSIONS	MINIMUM OPENING	FINISH	SET PER CTN	WHT PER CARTON	SUGGESTED LIST PRICE
Door Mount Cutting Board (Individual Pack)							
4DMCB-15	Base 15" Door Mount Cutting Board	10½" (267 mm) W x 2⅞" (73 mm) D x 16⅞" (429 mm) H	10⅞" (276 mm)	Wood	1	7 lb.	\$79.15
4DMCB-18	Base 18" Door Mount Cutting Board	13½" (343 mm) W x 2⅞" (73 mm) D x 16⅞" (429 mm) H	13⅞" (353 mm)	Wood	1	10 lb.	\$89.45

CONTAINS: Door Rack, Cutting Board and Screws. **NOTE:** Mounting brackets add up to 5" (128 mm) of adjustability, 2½" (64 mm) to each side.

BASE CABINET ACCESSORIES



4DMCB SERIES

DOOR MOUNT POLYETHYLENE CUTTING BOARD

- Brackets provide installation flexibility up to 5"
- Features the patented adjustable door mount brackets (US Patent No. 7,204,569)
- Includes polyethylene cutting board
- Carb II compliant

PRODUCT #	DESCRIPTION	DIMENSIONS	MINIMUM OPENING	FINISH	SET PER CTN	WHT PER CARTON	SUGGESTED LIST PRICE
Door Mount Polyethylene Cutting Board (Individual Pack)							
4DMCB-15P	Door Mount Polyethylene Cutting Board	11⅞" (287 mm) W x 2" (51 mm) D x 16⅞" (417 mm) H	12" (304 mm)	Wood	1	6 lb.	\$71.75
4DMCB-18P	Door Mount Polyethylene Cutting Board	14¾" (374 mm) W x 2" (51 mm) D x 16⅞" (417 mm) H	15¼" (387 mm)	Wood	1	9 lb.	\$90.65

CONTAINS: (1) door mount cutting board, (4) AMB (Adjustable Mounting Brackets) and (4) screws (US PATENT NO: 7,204,569).